

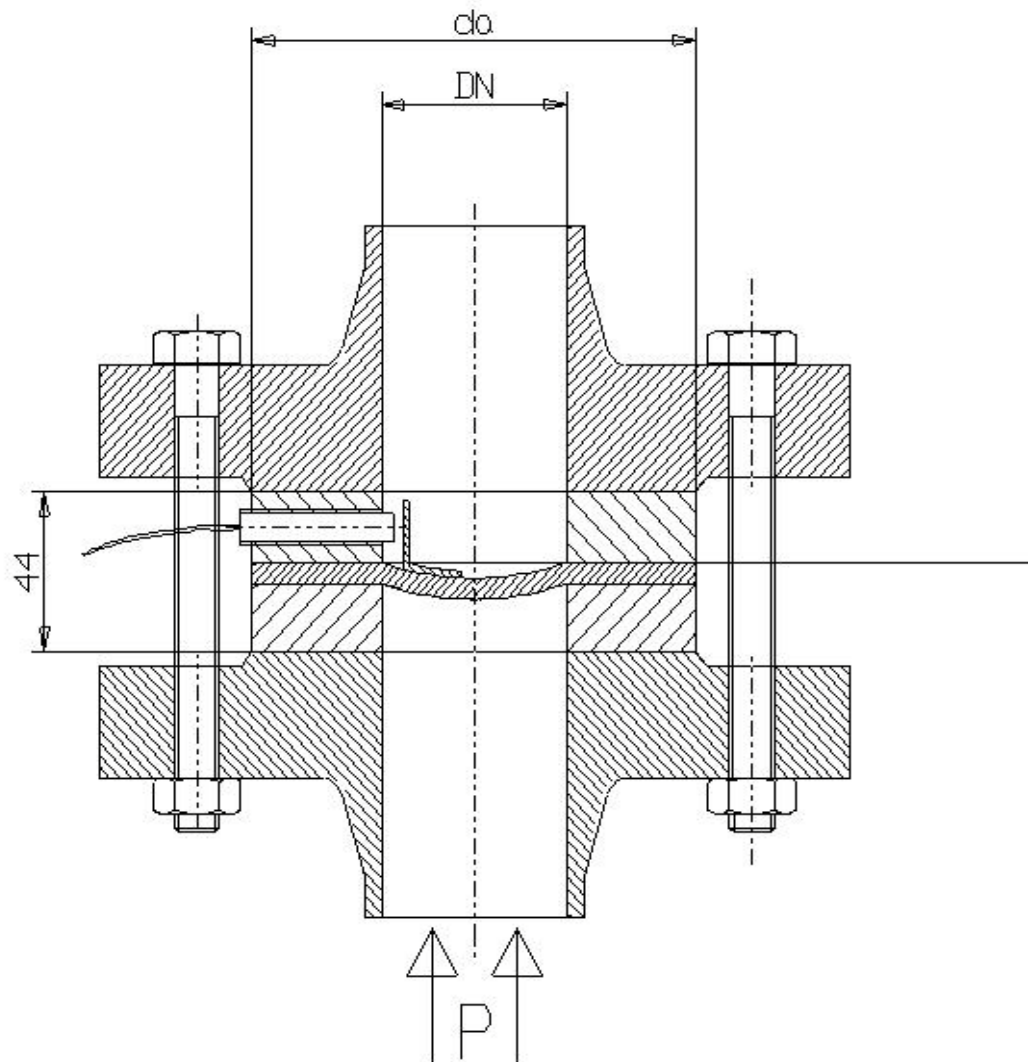
DISCO-SPIRALIS®

Disque de Rupture

Réf :
260 450

- » DISQUE REVERSÉ
 - » NON FRAGMENTANT
 - » MONTAGE DANS MONTURES
- » DN25 A DN250

ÉQUIPÉ D'UN DÉTECTEUR DE RUPTURE



| DN | 8 | 10 | 15 | 20 | 25 | 32 | 40 | 50 | 65 | 80 | 100 | 125 | 150 | 200 | 250 | 300 | 350 | 400 | 450 | 500 | 600 | |
|----------|------|------|------|------|----|--------|--------|-----|--------|-----|-----|-----|-----|-----|-----|-----|-----|-----|-----|-----|-----|--|
| INCHES | 1/4" | 3/8" | 1/2" | 3/4" | 1" | 1 1/4" | 1 1/2" | 2" | 2 1/2" | 3" | 4" | 5" | 6" | 8" | 10" | 12" | 14" | 16" | 18" | 20" | 24" | |
| Da PN10 | | | | | 70 | | 90 | 102 | 124 | 140 | 160 | | 212 | 270 | 312 | | | | | | | |
| Da PN16 | | | | | 70 | | 90 | 102 | 124 | 140 | 160 | | 212 | 270 | 312 | | | | | | | |
| Da PN20 | | | | | 66 | | 83 | 90 | 94 | 124 | 140 | | 212 | 270 | 320 | | | | | | | |
| Da PN25 | | | | | 70 | | 90 | 102 | 124 | 140 | 160 | | 212 | 270 | 335 | | | | | | | |
| Da PN40 | | | | | 70 | | 90 | 102 | 124 | 140 | 160 | | 212 | 270 | 335 | | | | | | | |
| Da PN50 | | | | | 66 | | 82 | 90 | 94 | 124 | 140 | | 212 | 270 | 335 | | | | | | | |
| Da PN100 | | | | | 66 | | 82 | 90 | 94 | 124 | 140 | | 212 | 270 | 335 | | | | | | | |
| E | | | | | 44 | | 44 | 44 | 44 | 44 | 44 | | 44 | 44 | 44 | | | | | | | |

Unités : mm, Kg.